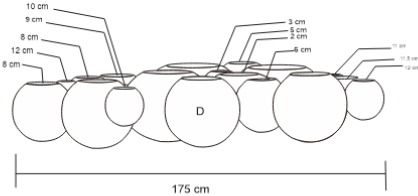


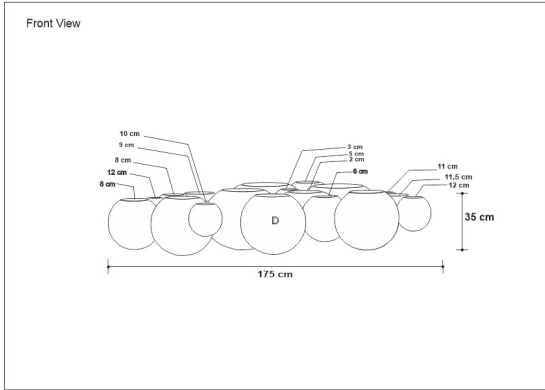
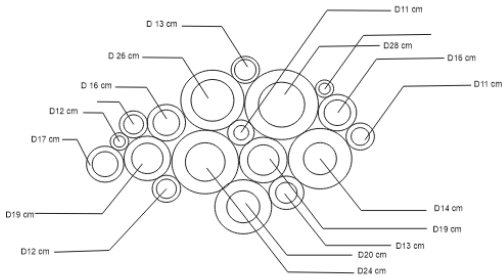
NEBULA COFFEE TABLE – STAINLESS TOP

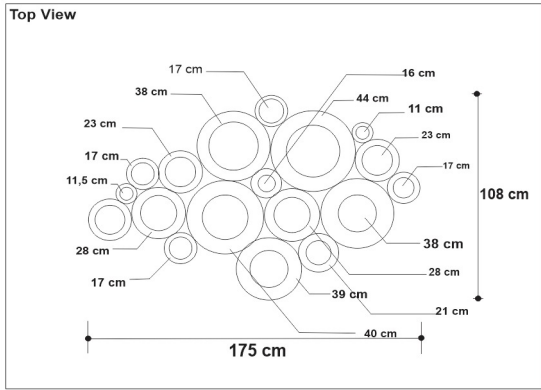
DESIGN By Qoqet

Front View



Top View





Dimensions (mm)

1,752.60 W x 1,079.50 D x 349.25 H

Dimensions (Inches)

69.00 W x 42.50 D x 13.75 H

This strikingly naturalistic coffee table design features a cluster of segmented black spheres arranged in different sizes and heights, with some appearing suspended in space. The spheres are constructed of the finest quality GFK and finished with a reflective stainless steel top, mimicking the reflective quality of water droplets in nature.

QOQET